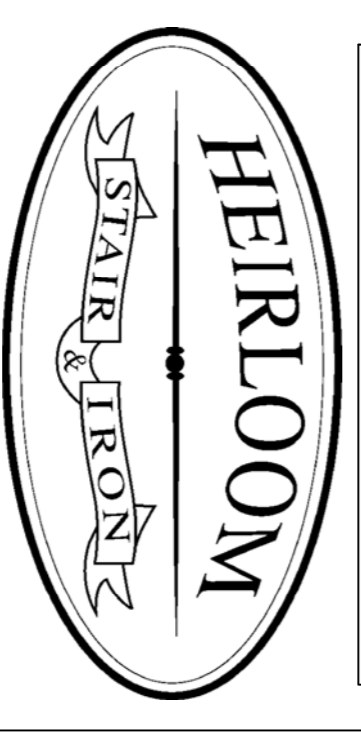
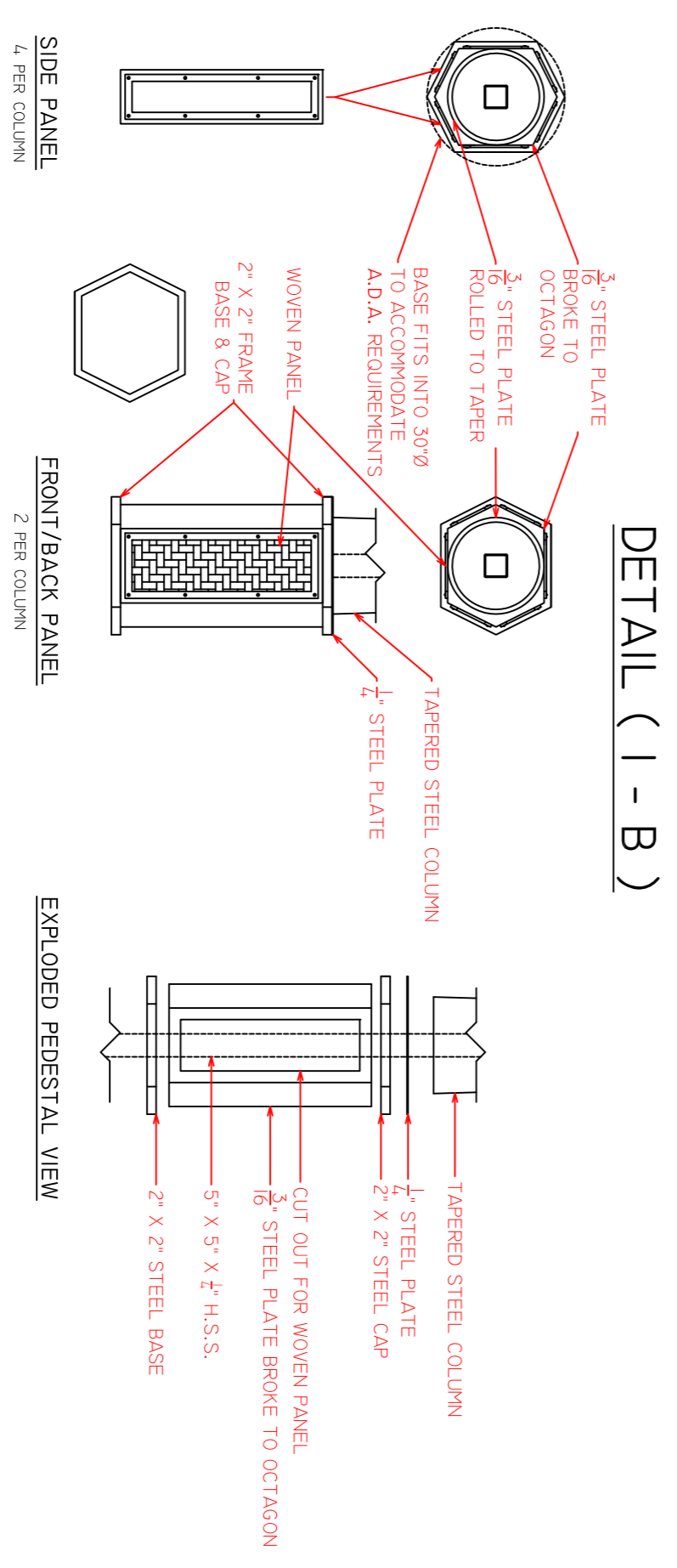
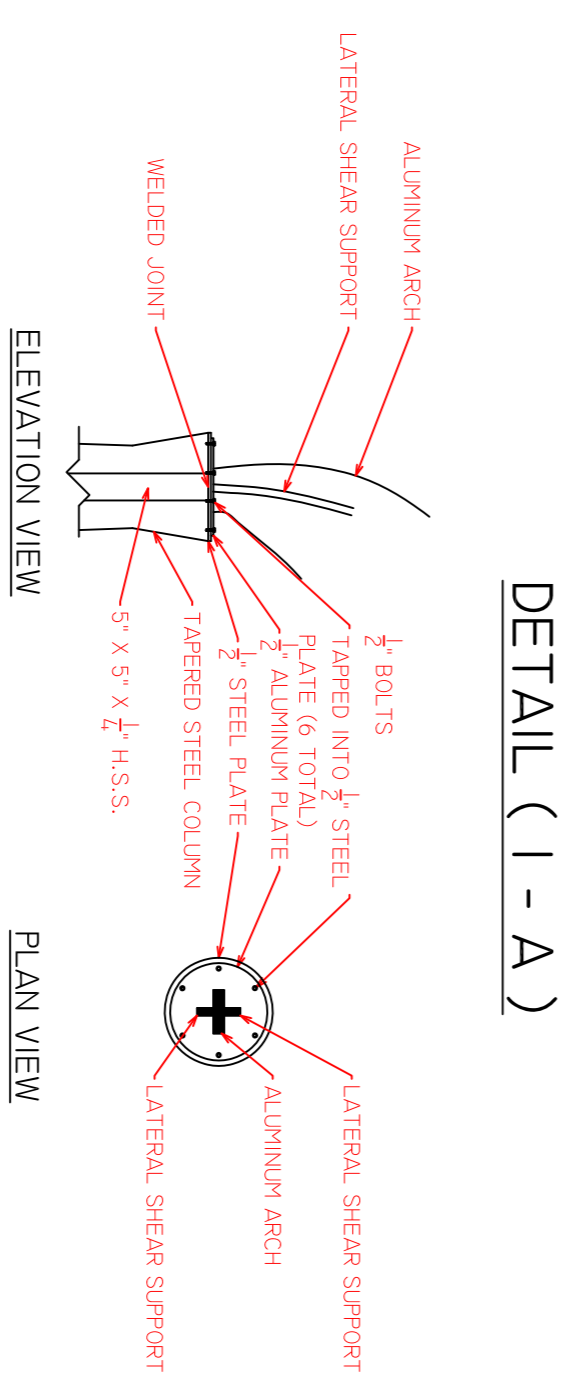
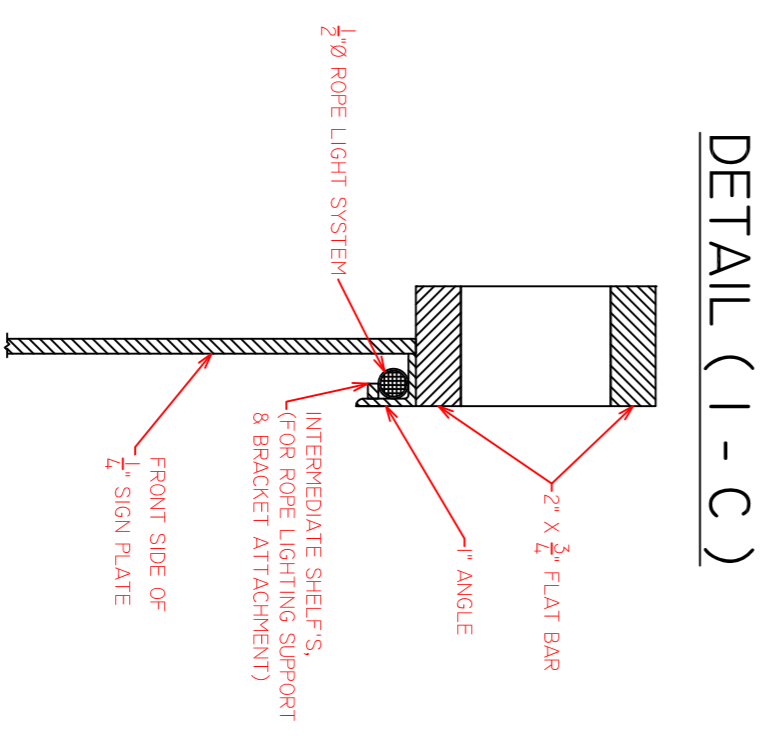
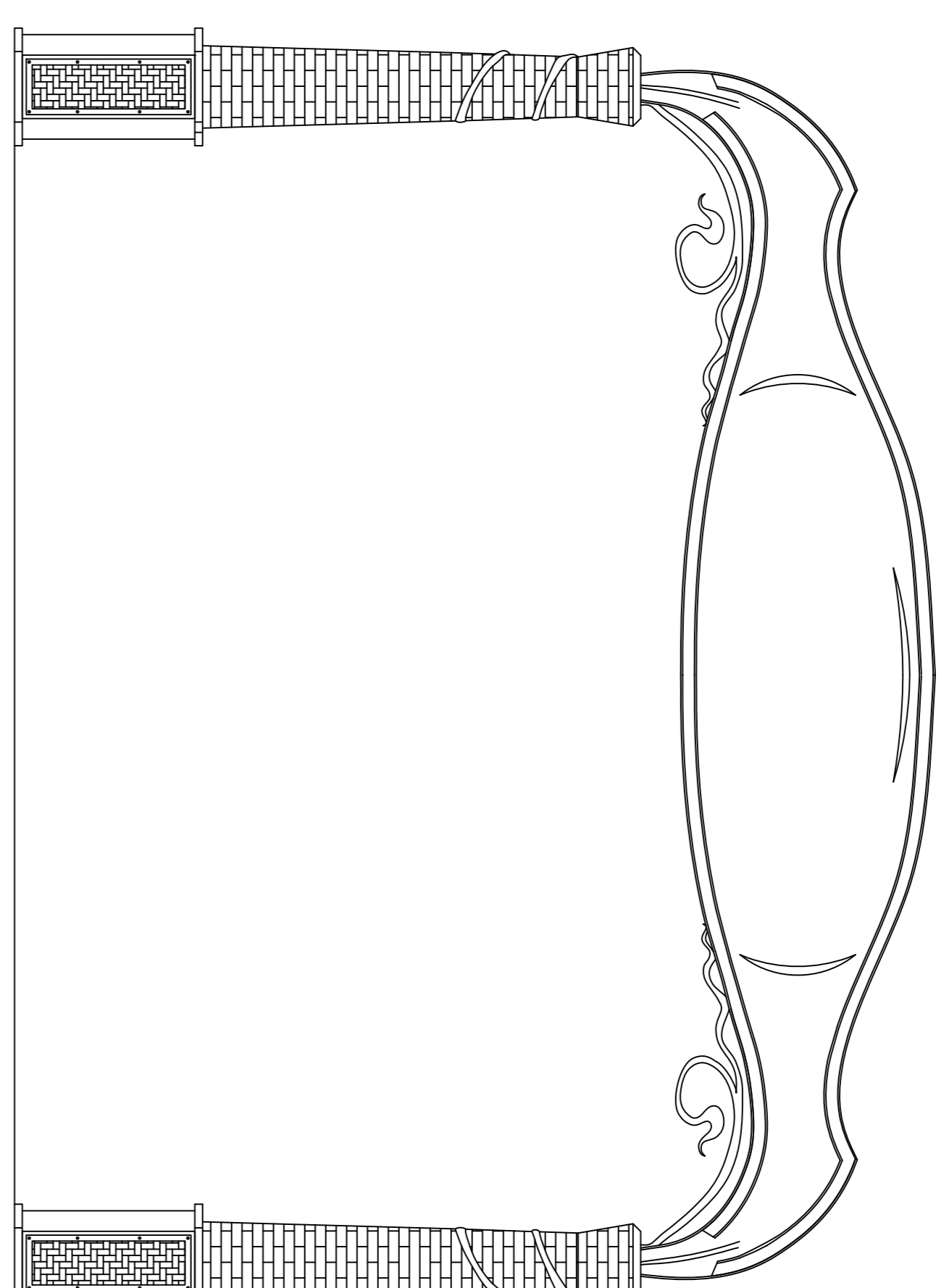
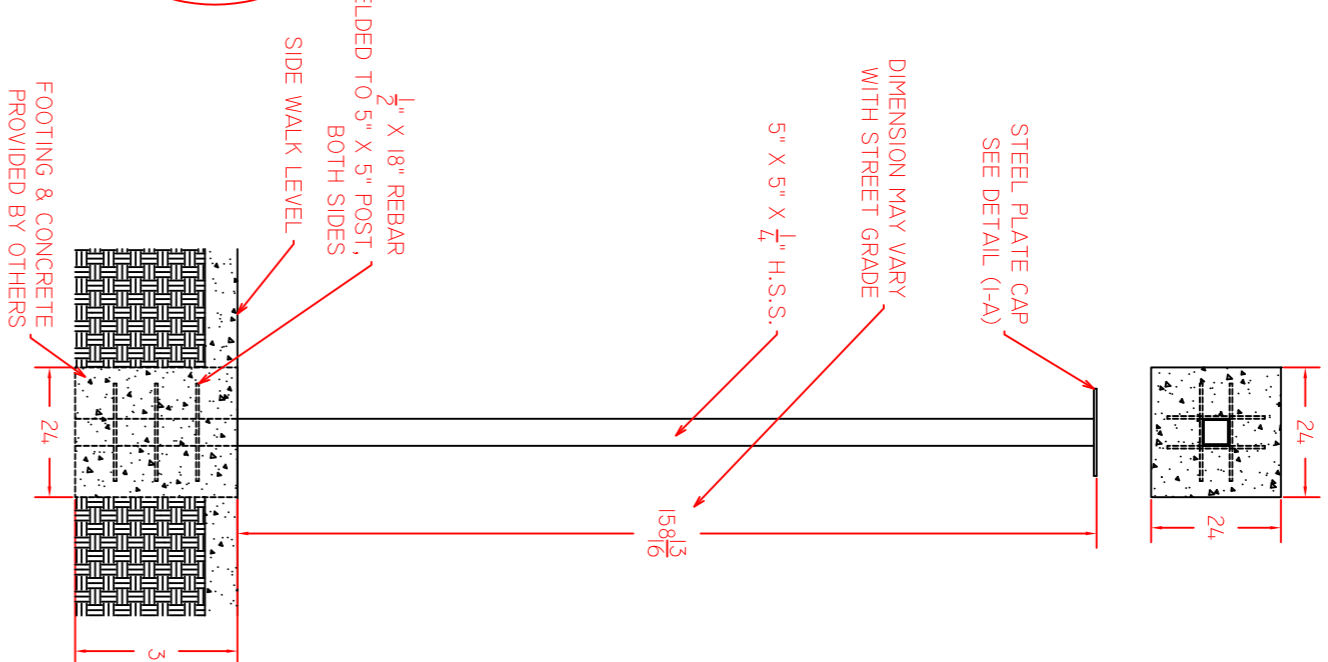
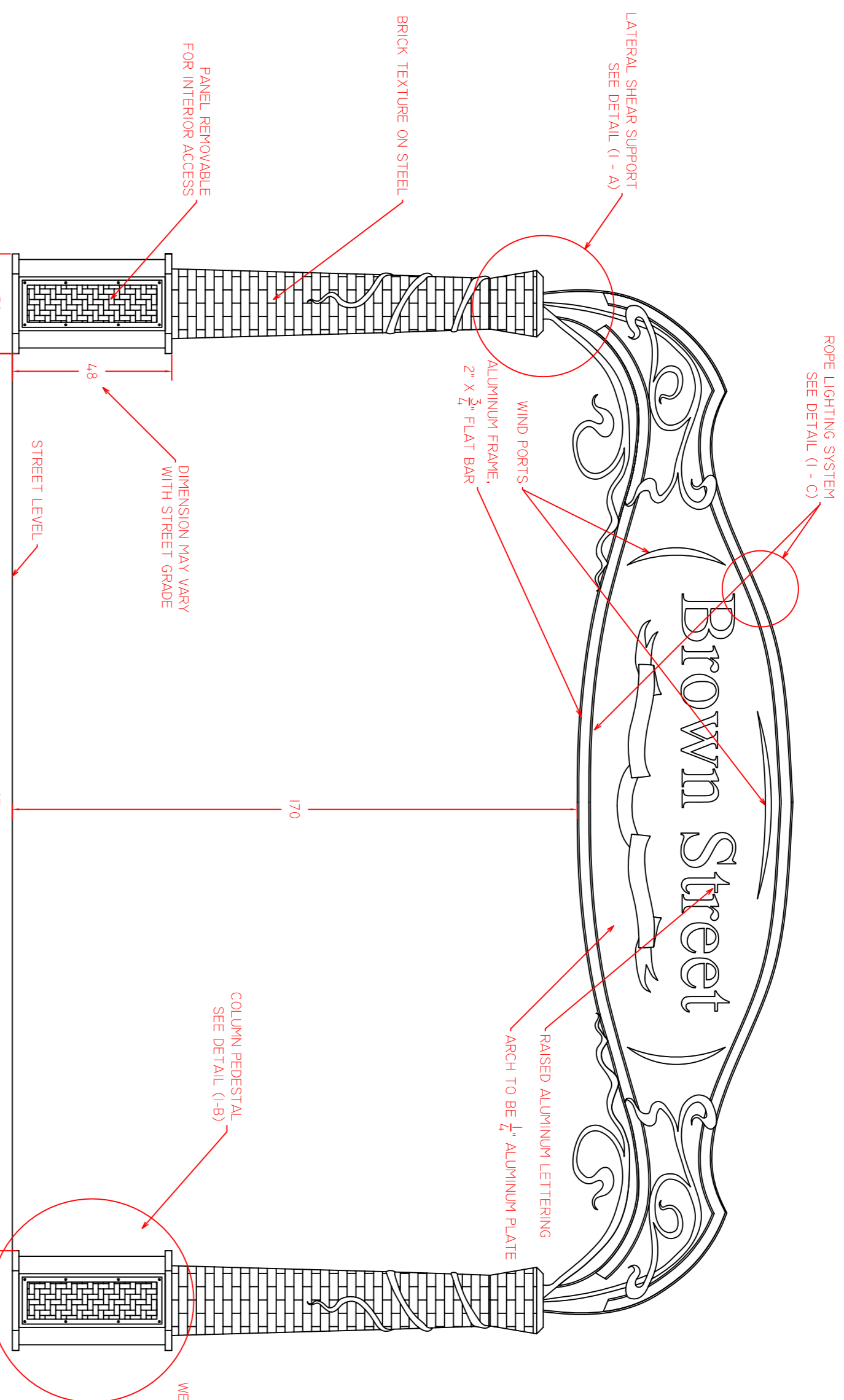


GENERAL NOTES



13728 Highway 11
Campobello, S. C. 29322
(864)468-4940

PRODUCT:
BROWN STREET

NAME: CITY OF GREENVILLE	SHEET:
DATE: 10-04-11	STREET ARCHWAY
SCALE: CUSTOM	